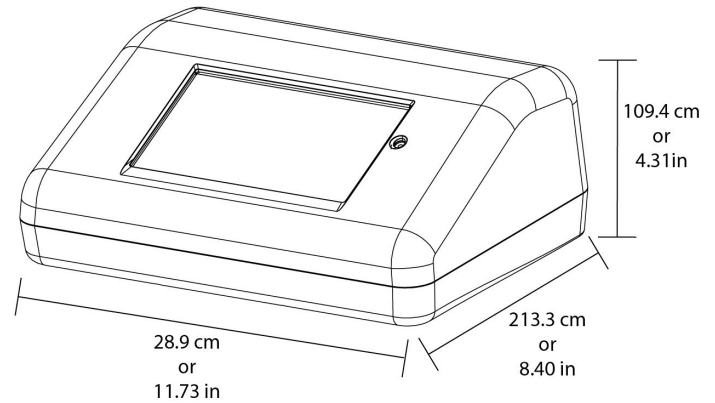


TECHNICAL SPECIFICATION

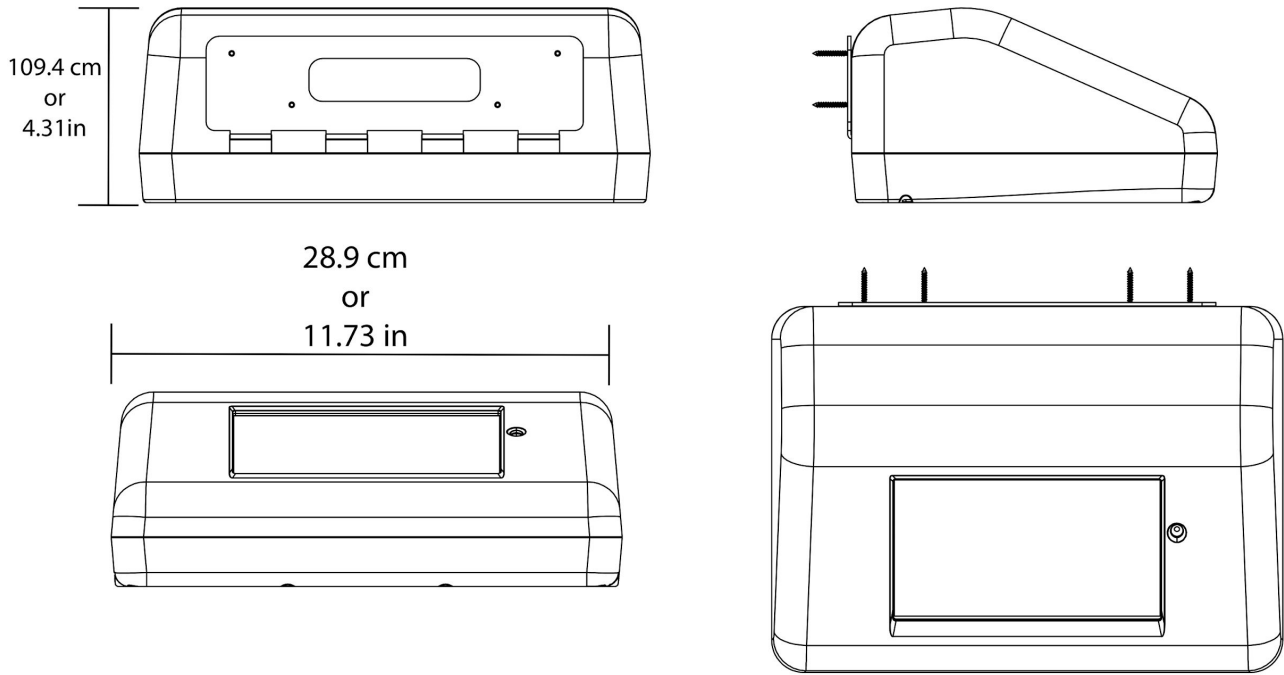
PathSpot Hand Scanner
Model A3441W03 / A3441W20



The PathSpot hand scanner is a patented data collection tool that provides instant feedback on handwashing frequency and effectiveness. The hardware unit and proprietary software leverage visible light fluorescence spectroscopy to perform detection of gut biome molecules on hands. Data is displayed both on the screen of the device and on a cloud-hosted data dashboard to allow goal setting and active monitoring of hand hygiene activities.



<p>Included</p>	<p>1 hand scanner hardware unit 1 mounting bracket 4 #4 screws and 4 3/16" anchors 3' DC power supply Installation Guide & PathSpot Manual 3 "Wash, Dry, Scan" tiles to encourage engagement</p>
<p>Additional Features</p>	<p>(Optional) Individual employee recording feature using unique ID code entered on device screen prior to scan. Configurable software to customize goal-setting based on operational hours, number of employees, etc. Visual goal-tracker displayed on device home screen to gage progress toward goals. Data Dashboard to view all location, device, and employee specific data remotely.</p>
<p>Intended environment</p>	<p>Designed to be wall mounted, non-mobile, and used in ambient conditions with regular daily use at designated handwashing sinks in food-handling environments.</p>



Color	Matte dark gray and light gray lower panel
Materials	NSF approved acrylonitrile butadiene styrene (ABS) casing
Installation	Recommend installation height of base from floor: 50" Minimum clearance: 6" below device
Dimensions	11.73" L x 8.4" D x 4.31" H
Weight	Less than 5 lbs; Packaged Weight: 7.01 lbs.
Electrical	Input voltage/Frequency: 100 - 240 V AC at 50 & 60 Hz; 12 V DC adapter included (uses standard outlet) Standby power consumption: 6 W
Connectivity	Wifi 4 - 2.4 GHz 802.11.b/g/n Open/ WEP/ WPA/WPA2 security
Operation	Hands-free proximity sensor activation Detection result time: <2 second scan processing time Operating temperature range: 0°C - 40°C
Regulatory Approvals	FCC, CE, UL (power supply), RoHS, Prop 65, NSF